



# NEW SERIES 2021



Details do matter.

[www.famlight.eu](http://www.famlight.eu)



Famlight is a family brand with over 20 years of experience in glass. We place great emphasis on details because our main objective is to create unique handmade lamps in the best quality.



JAWA

5



LEYTE

7



REUNION

10



MUNA

12



# INDEX OF LAMPS

LEYTE  
TABLE

18



JAWA  
TABLE

17



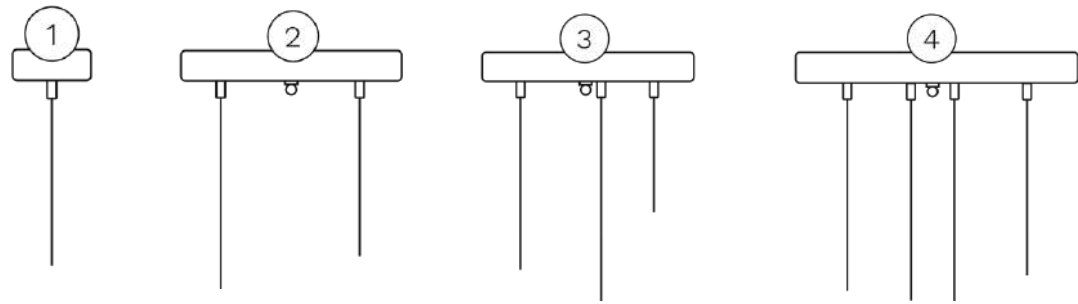
LAUT  
TABLE II

15

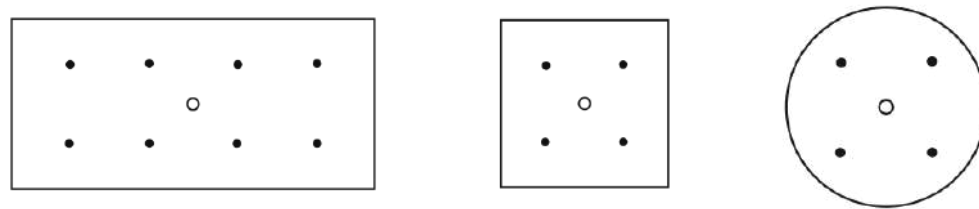


# MAKE YOUR OWN LAMP

**1** CHOOSE THE NUMBER OF OVERHANGS



**2** CHOOSE SHAPE OF THE HEADLINING AND **3** CABLE COLOR



**4** CHOOSE METAL COLOR FINISH



**5** CHOOSE THE SHAPE OF GLASS BASE FROM OUR OFFER





# *Journal*

BY F A M L I G H T

# JAWA



**JAWA**  
**TRANSPARENT STAINLESS STEEL**

Code: 41-1001001



**JAWA**  
**GREY COPPER**

Code: 41-1104001



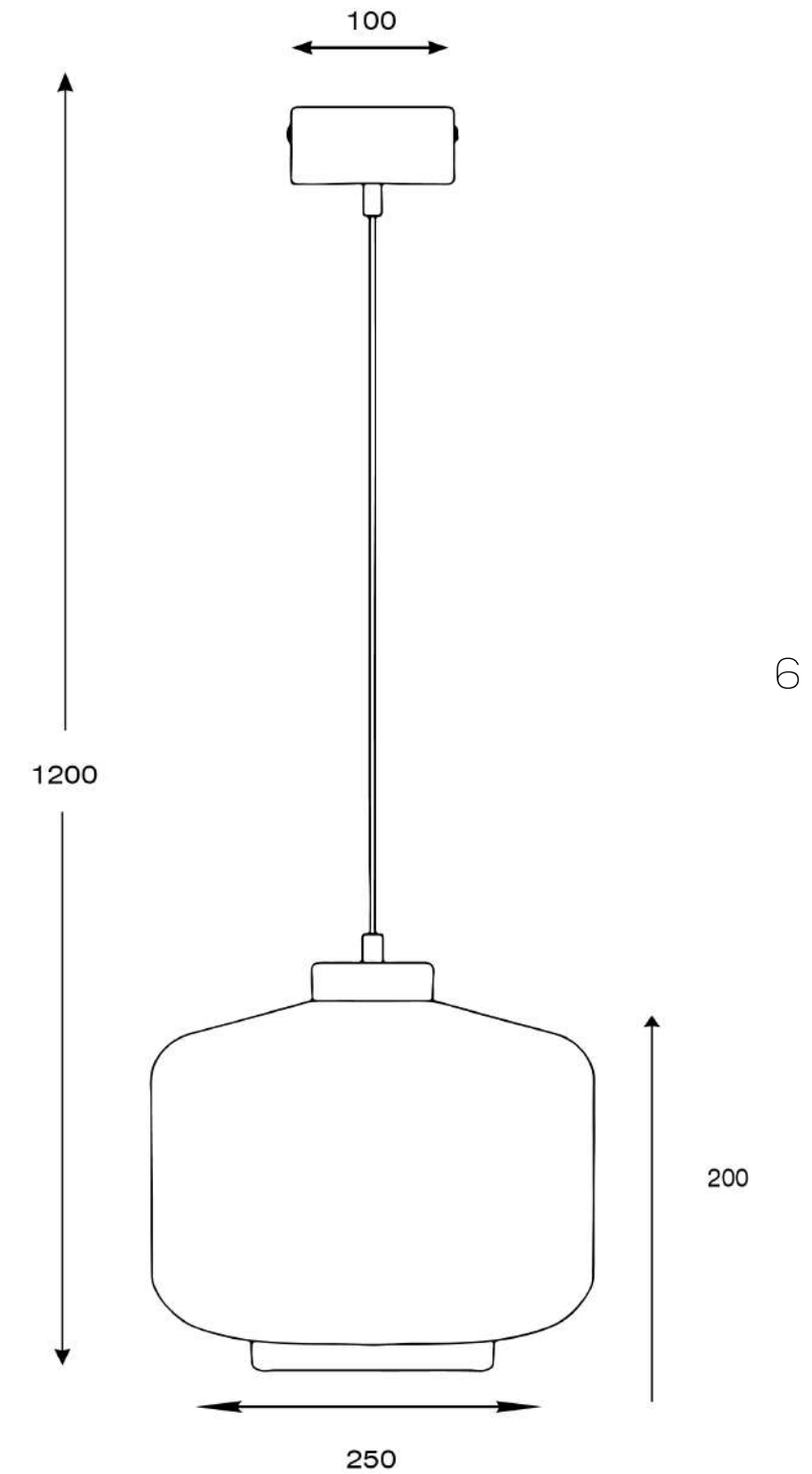
**JAWA**  
**AMBER BRASS**

Code: 41-1273001



**JAWA**  
**BOTTLE GREEN BRASS**

Code: 41-1973001



Material: hand-blown glass painted by hand, copper / brass / stainless steel  
Maximum bulb wattage: 60W, 1×E27

*Leyle*  
BY F A M L I G H T



---

# Leyte



**LEYTE**  
**TRANSPARENT STAINLESS STEEL**

Code: 38-1001001



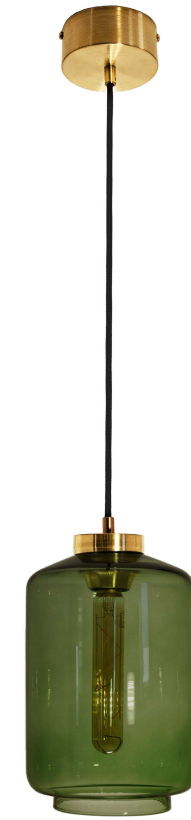
**LEYTE**  
**GREY COPPER**

Code: 38-1104001



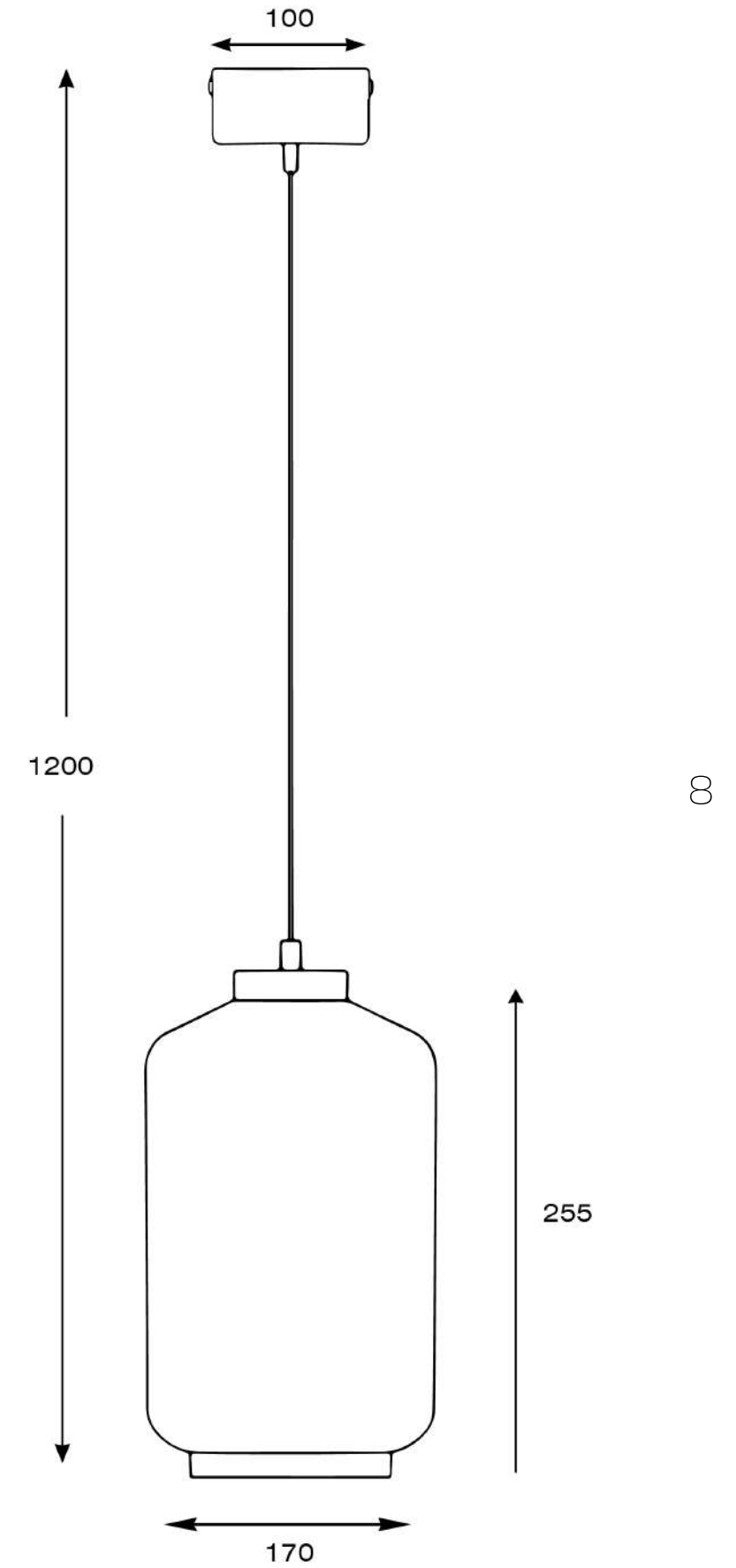
**LEYTE**  
**AMBER BRASS**

Code: 38-1273001



**LEYTE**  
**BOTTLE GREEN BRASS**

Code: 38-1973001



Material: hand-blown glass painted by hand, copper / brass / stainless steel  
Maximum bulb wattage: 60W, 1×E27





*Penhion*

BY F A M L I G H T



# Reunion



REUNION L  
GOLD

Code: 30-LM23001



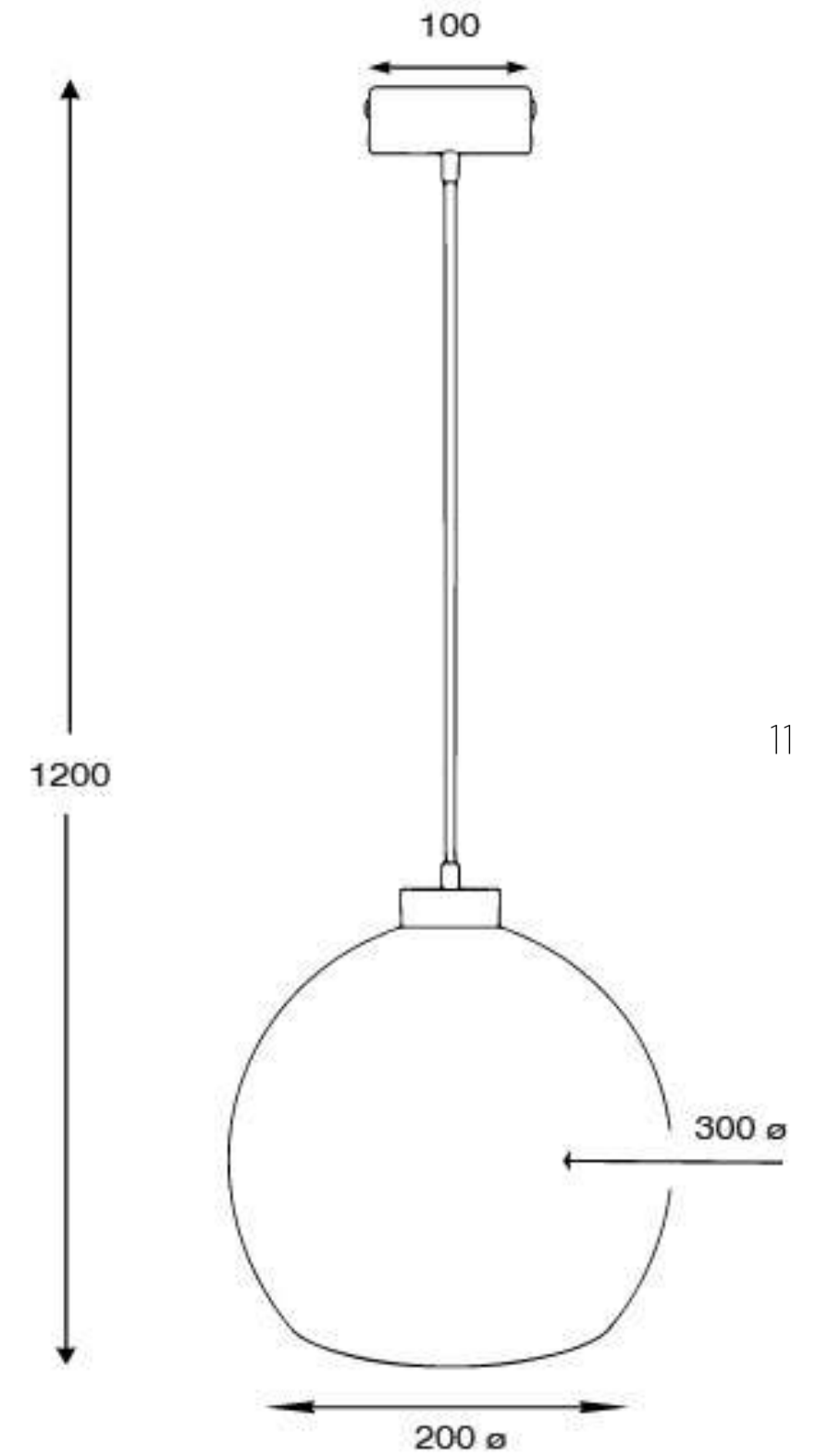
REUNION L  
INOX

Code: 30-LM11001



REUNION L  
COPPER

Code: 30-LM34001



Material: hand-blown glass painted by hand, copper / brass / stainless steel  
Maximum bulb wattage: 60W, 1×E27

# Reunion



**REUNION M  
GOLD**

Code: 30-MM23001



**REUNION M  
INOX**

Code: 30-MM11001



**REUNION M  
COPPER**

Code: 30-MM34001



**REUNION S  
GOLD**

Code: 30-SM23001



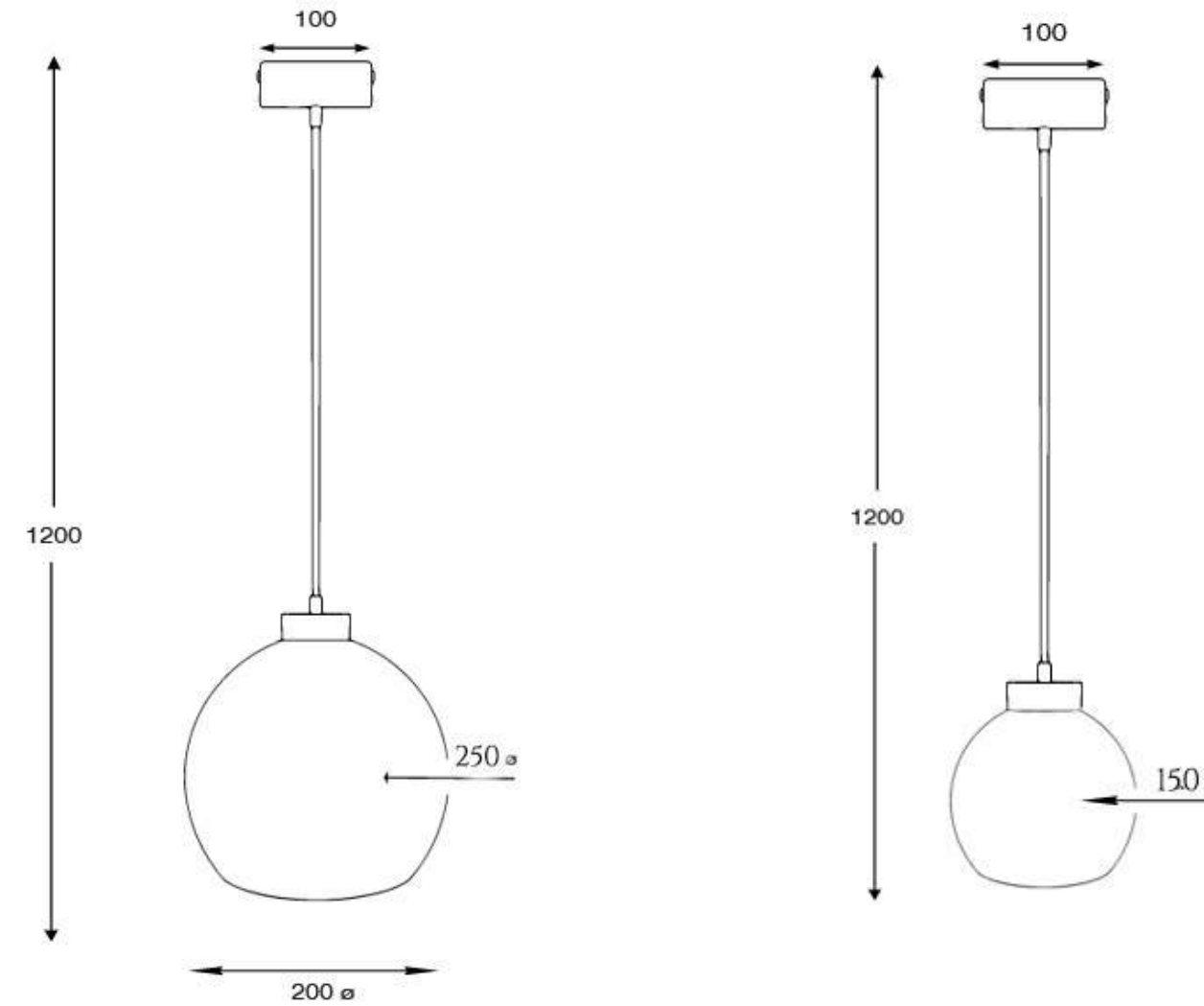
**REUNION S  
INOX**

Code: 30-SM11001



**REUNION S  
COPPER**

Code: 30-SM34001



Material: hand-blown glass painted by hand, copper / brass / stainless steel  
Maximum bulb wattage: 60W, 1×E27



*Mumma*

BY F A M L I G H T

---

# MUNA

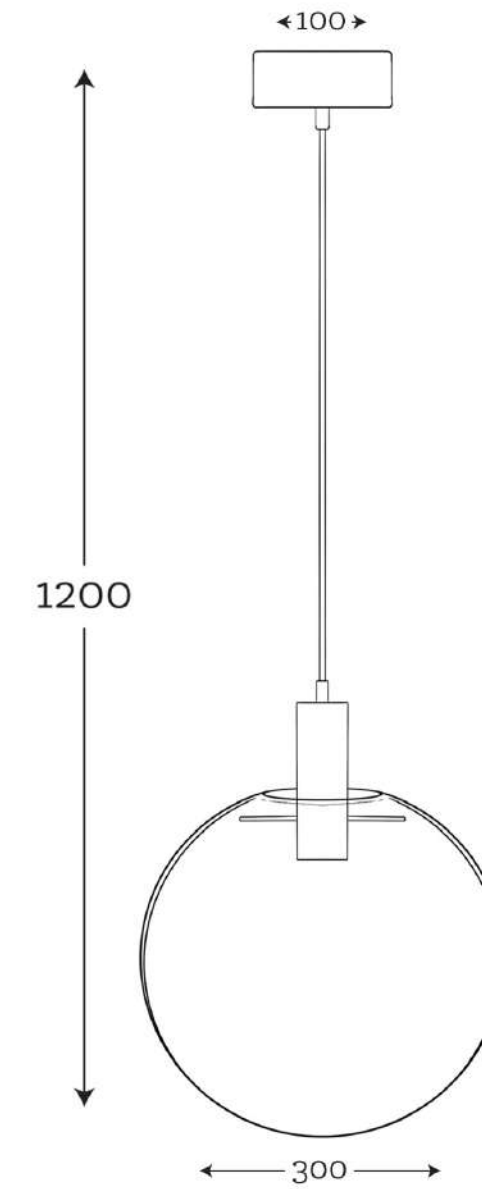


## MUNA

26-1005BL1

**Available metal finish**      black elements  
   brass

**Available glass globes**      20 Ø  
   25 Ø  
   30 Ø  
   35 Ø  
   40 Ø



Material: hand-blown glass painted by hand, brass / black elements Maximum bulb wattage: 60W, 1×E27



# Paint

BY FAMILIGHT

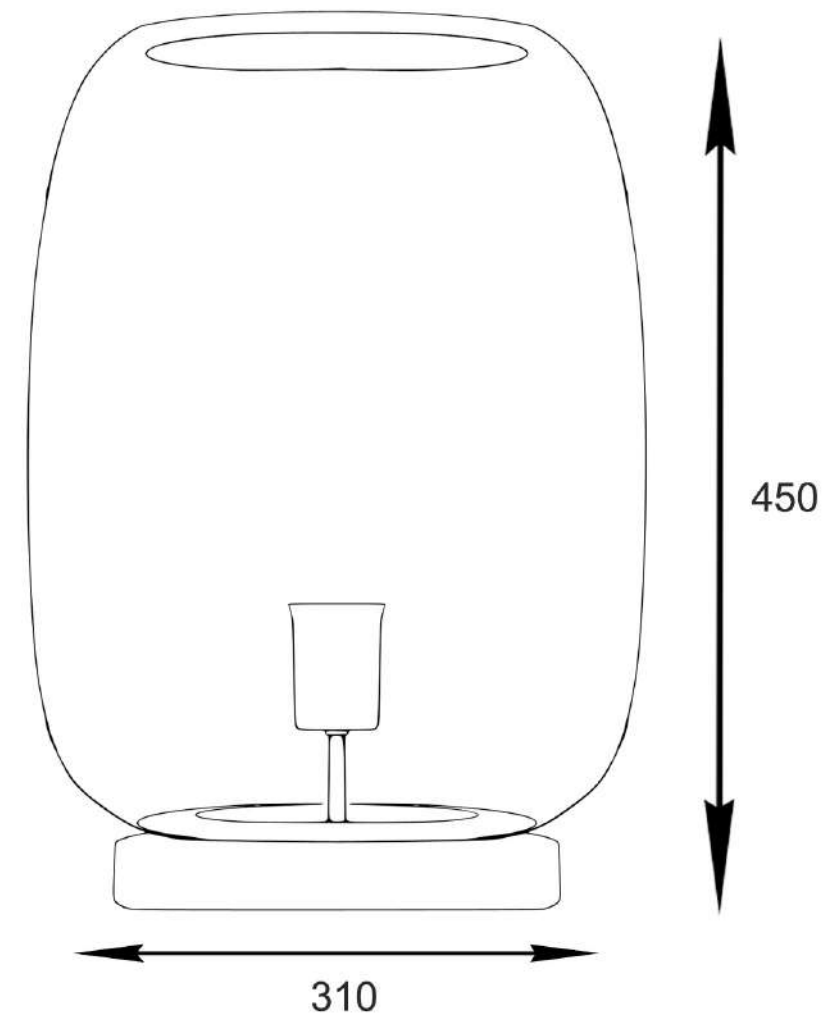
---

# LAUT TABLE II



## LAUT TABLE II BLACK ELEMENTS

Code: 29-0105004



Material: hand-blown Color in mass, copper / brass / stainless steel Maximum bulb wattage: 60W, 1×E27

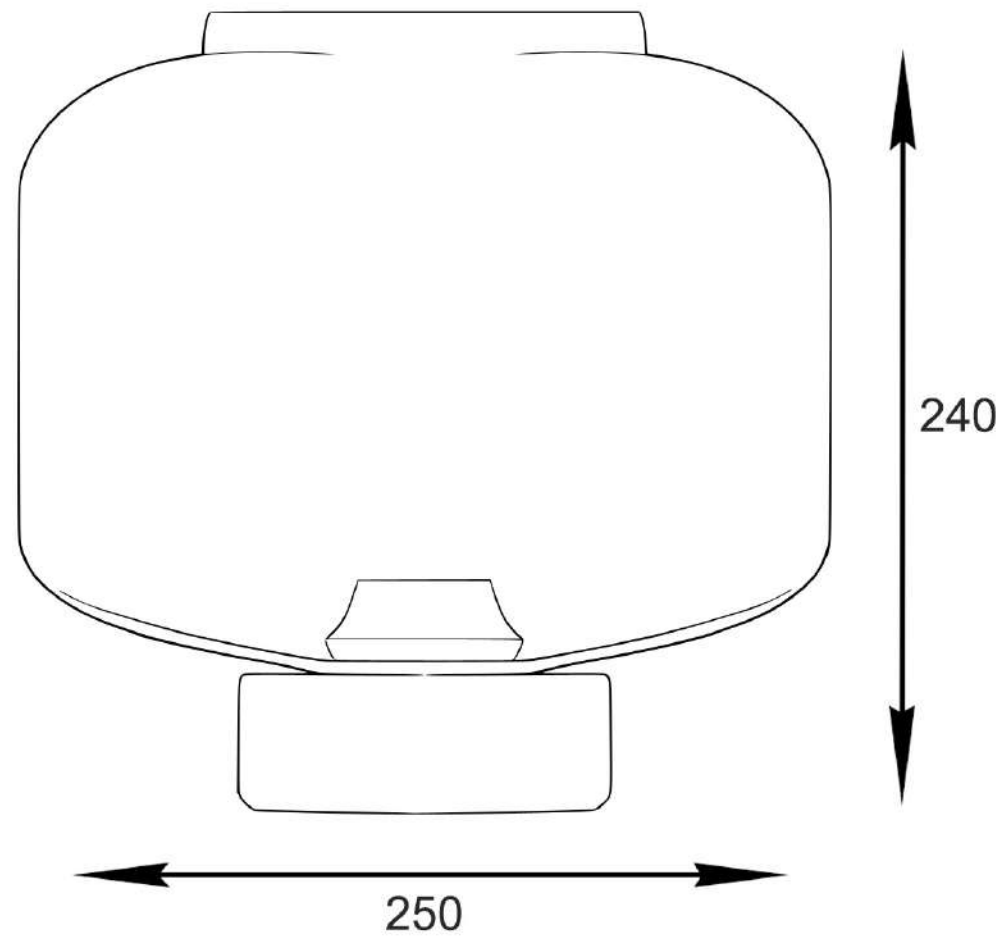


*Java Table*

BY F A M L I G H T



# JAWA TABLE



**JAWA TABLE  
TRANSPARENT STAINLESS STEEL**

Code: 41-0001004



**JAWA TABLE  
GREY COPPER**

Code: 41-0104004



**JAWA TABLE  
AMBER BRASS**

Code: 41-0273004



**JAWA TABLE  
BOTTLE GREEN BRASS**

Code: 41-0973004

Material: hand-blown glass painted by hand, copper / brass / stainless steel  
Maximum bulb wattage: 60W, 1x E27

# LEYTE TABLE



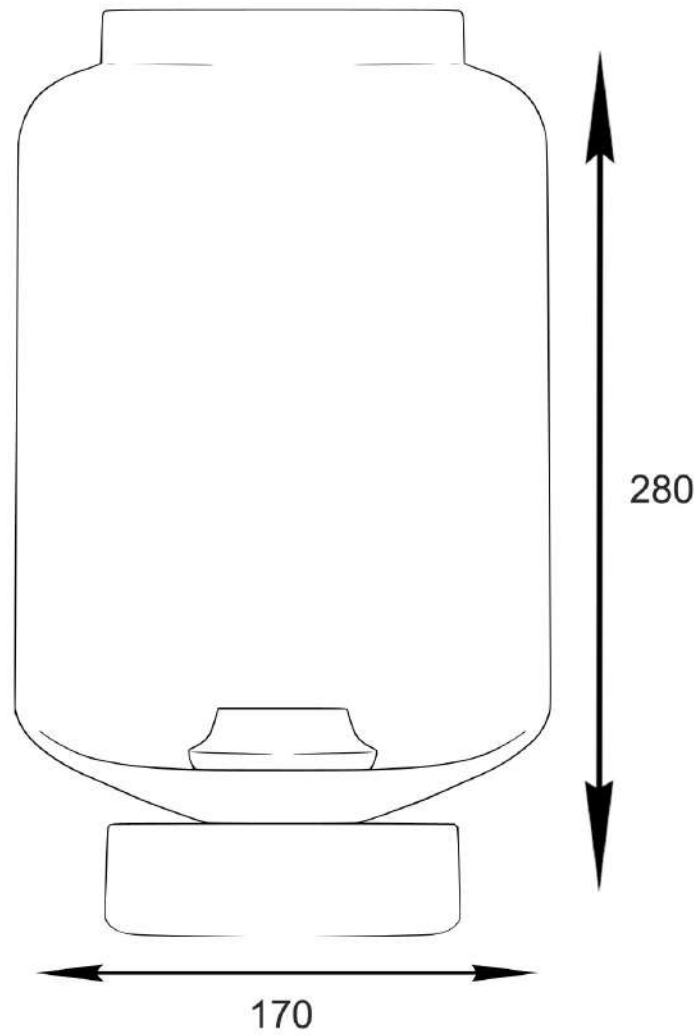
**LEYTE**  
**BOTTLE GREEN BRASS**

Code: 38-0973004



Material: hand-blown glass painted by hand, copper / brass / stainless steel  
Maximum bulb wattage: 60W, 1×E27

# LEYTE TABLE



**LEYTE TABLE  
TRANSPARENT STAINLESS STEEL**

Code: 38-0001004



**LEYTE TABLE  
AMBER BRASS**

Code: 38-0273004



**LEYTE TABLE  
GREY COPPER**

Code: 38-0104004

Material: hand-blown glass painted by hand, copper / brass / stainless steel  
Maximum bulb wattage: 60W, 1x E27

---

# SHOWROOM

Babińskiego 71/2 Piętro  
30-394 Kraków, Poland

## Office Famlight

phone: 0048 12 257 03 10

e-mail: office@famlight.eu

www.famlight.eu



famlight.eu



famlight.eu

---

# TECHNICAL DETAILS

## TABLE LAMPS

E27 bulb holder / 60W max /  
220-240 Voltage / EU plug  
Bulb is not included to lamp

Every detail is made in EU

